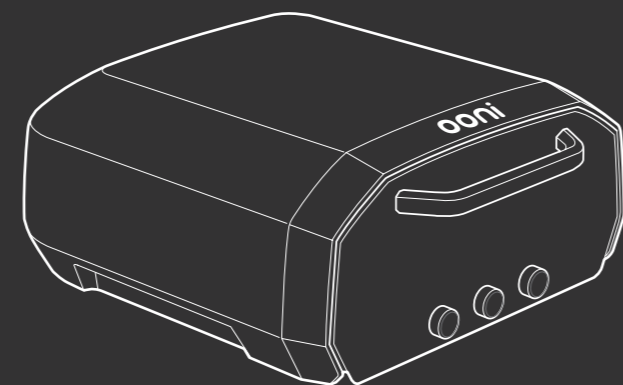




# Volt 12

## Manual & Safety Instructions

USA



**6**

**a**

**b**

**c**

**7**

**a**

**b**

**c**

**d**

**e**

**8**

**a**

**b**

**c**

**d**

**e**

**9**

**a**

**b**

**c**

**d**

**e**

**10**

**a**

**b**

**c**

**d**

**e**

**11**

**a**

**b**

**c**

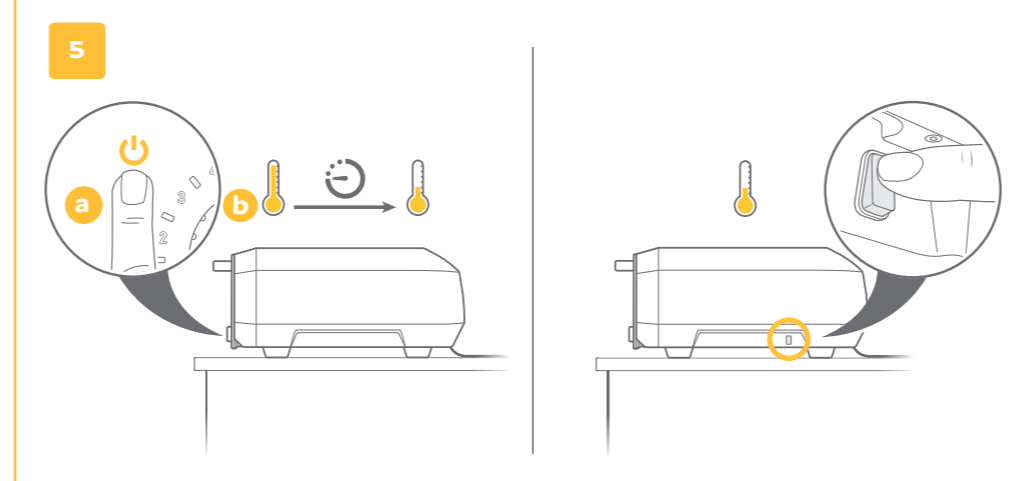
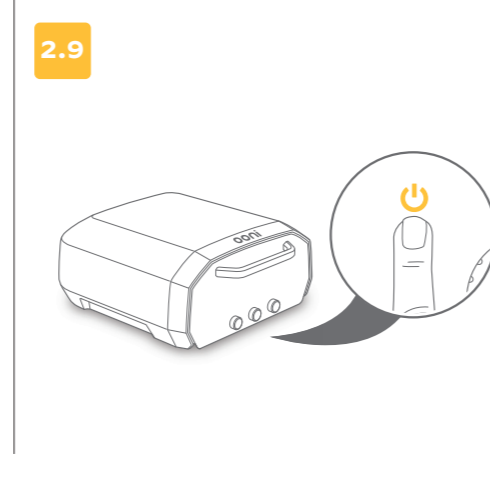
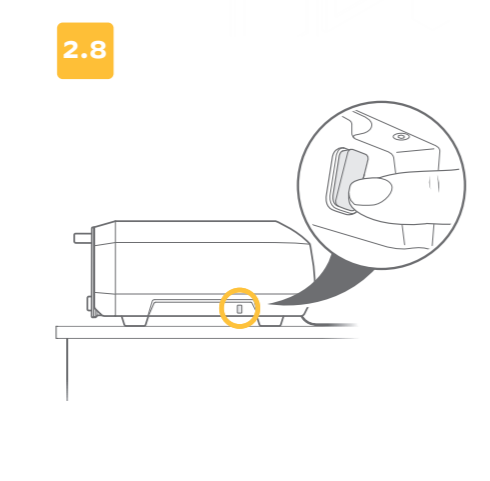
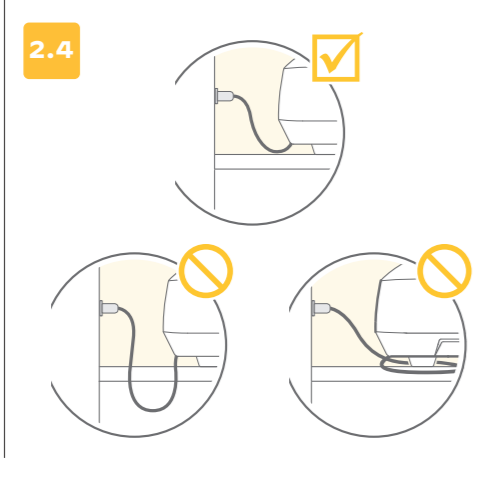
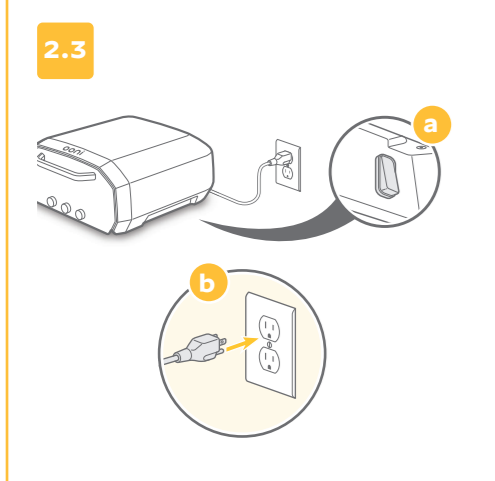
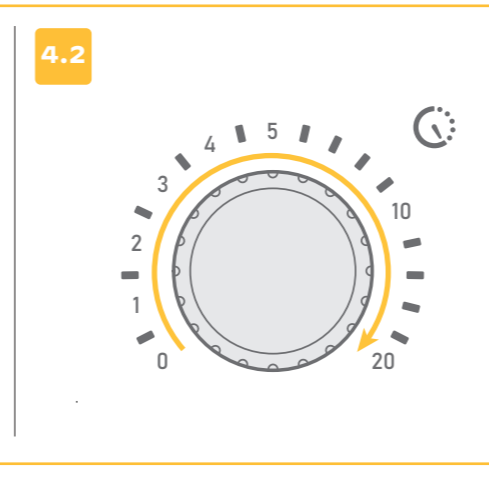
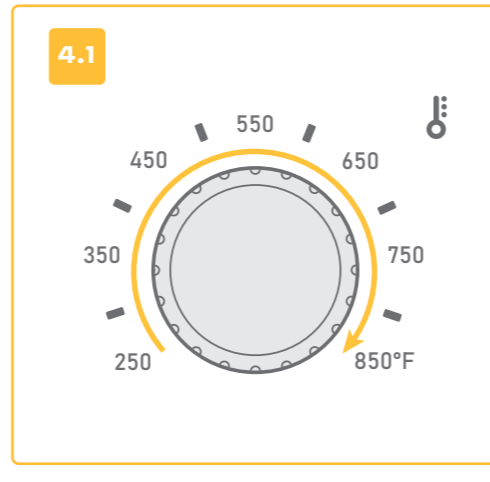
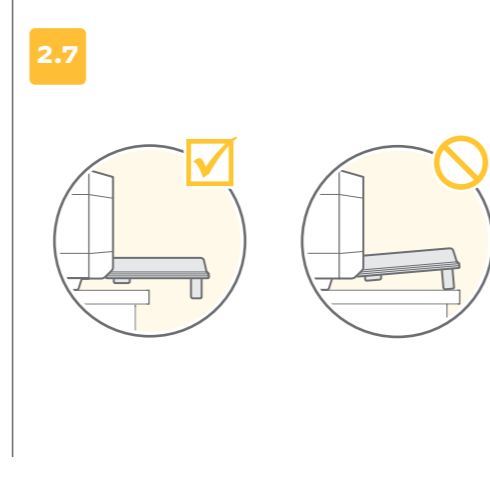
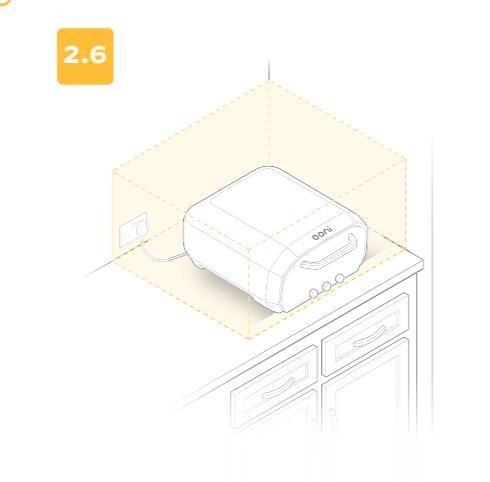
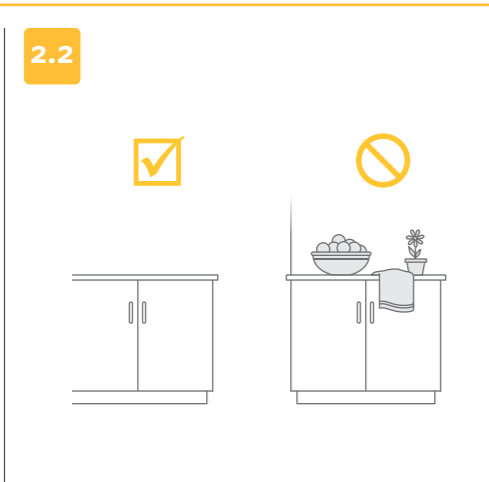
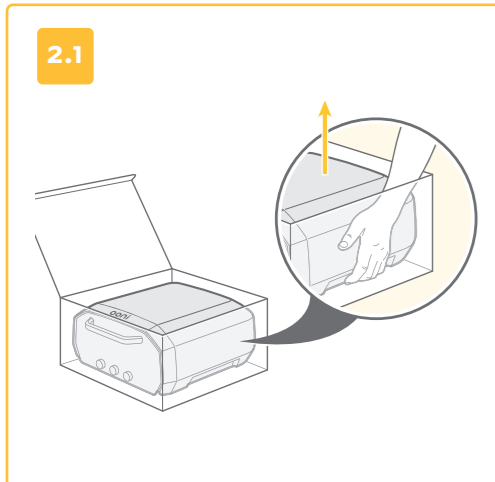
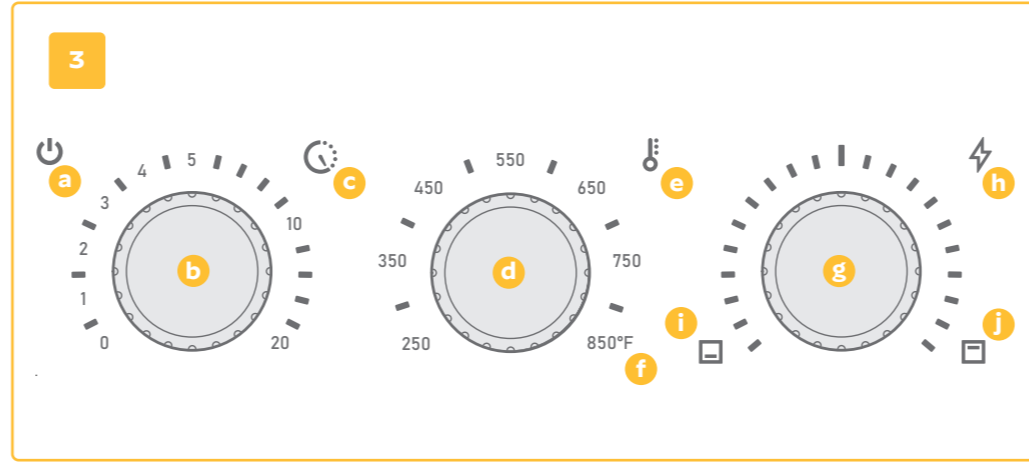
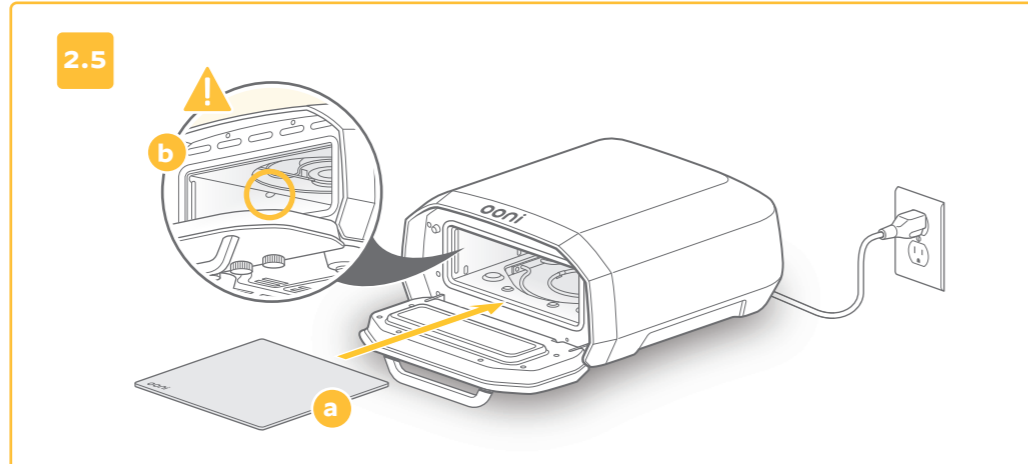
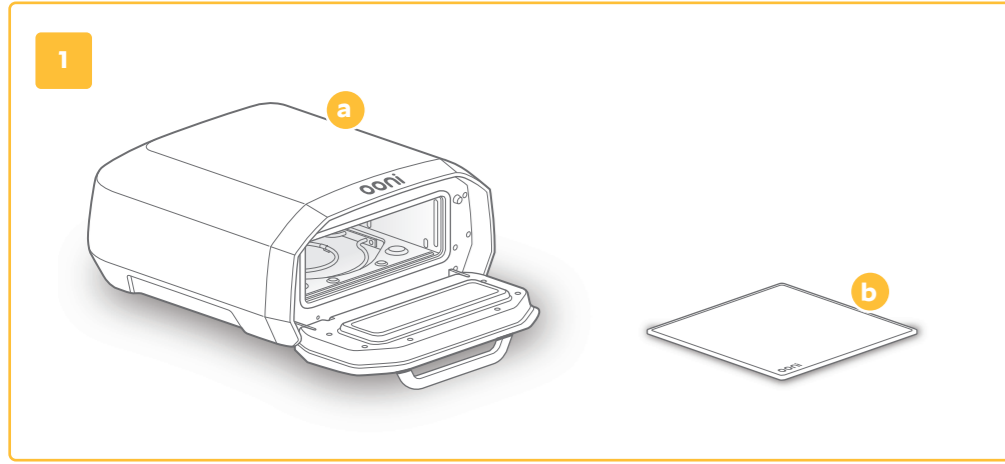
**d**

**e**

**f**

**g**

**h**



## Important Safeguards

Read all instructions.

Do not touch hot surfaces. Use handles or knobs.

To protect against electrical shock, do not immerse cord or plug in water or other liquid.

Close supervision is necessary when any appliance is used by or near children.

Unplug from outlet when not in use and before cleaning. Allow to cool before putting on or taking off parts.

Do not operate the appliance with a damaged cord or plug, or after the appliance malfunctions or has been damaged in any manner. Return appliance to the nearest authorized service facility for examination, repair or adjustment.

Do not use accessory attachments not recommended by Ooni as these may cause injury or damage.

Do not let cord hang over edge of table or counter, or touch hot surfaces.

Do not place on or near a hot gas or electric burner, or in a heated oven.

Extreme caution must be used when moving appliance containing hot oil or other hot liquids.

Household use only.

To disconnect, turn any control to "off," then remove plug from wall outlet.

Do not use appliance for anything other than intended use.

Use only on properly grounded outlet.

Store indoors, out of reach of children, when not in use.

Do not open the door in the event food spontaneously ignites. Any flames will extinguish themselves.

Do not place oil or baking paper directly on the baking stone.

Do not rest anything on the door once open. Avoid cold items of food dropping onto the inside of the door.

Before turning off the power switch or disconnecting from the outlet, let the oven cool down in standby mode for approximately 10 minutes.

Do not use the appliance without the baking stone in place.

Only use baking stones that are recommended and supplied by Ooni.

Do not spray the product with water from a hose or the like.

## Save these instructions.

## Power Supply Cord

A short power supply cord (or detachable power supply cord) is provided to reduce the risk resulting from becoming entangled in or tripping over a longer cord. Longer detachable power-supply cords or extension cords are available and may be used with care.

If an extension cord is used:

1. The marked electrical rating of the extension cord should be at least as great as the electrical rating of the appliance;
2. The cord should be arranged so that it will not drape over the countertop or tabletop where it can be pulled on by children or tripped over unintentionally;
3. If the appliance is of the grounded type, the extension cord should be a grounding-type 3-wire cord.
4. Outdoor extension cords should be used with outdoor use products and are surface marked with the suffix letter "W" and with a tag stating "Suitable for use with outdoor appliances." The connection to an extension cord should be kept dry and off the ground.

### 1. Parts List:

- a. Ooni Volt 12
- b. Baking Stone

### 2. Setting Up

#### 2.1 | Step 1:

Take your Ooni Volt 12 out of the packaging. There are handholds on the side of the oven.

#### 2.2 | Step 2:

Find a clean, flat, stable surface for your Ooni Volt 12. Clear the space before moving your oven into position. Remove any flammable objects and materials, including tablecloths.

Think about ventilation when choosing a suitable place for your oven. Very high cooking temperatures can sometimes cause food to burn, which can produce smoke.

**2.3 | Step 3:**

Unwind the power cord. Make sure that the power switch is in the off position before plugging your Ooni Volt 12 into a power outlet. This oven is designed to be used with 120V outlets only.

**Caution:** *The Ooni Volt 12 comes with a short power supply cord to reduce the risk of the oven being pulled off the countertop. If you're using an extension cord, make sure that its marked electrical rating is at least as great as the appliance's electrical rating (1600W). Route the extension cord so that it can't be pulled on or tripped over to minimize the risk of the oven falling.*

**2.4 | Step 4:**

Make sure that the cable doesn't run under the oven or drape over the edge of the countertop or tabletop where it can be pulled on or tripped over.

**2.5 | Step 5:**

Remove the baking stone from its packaging and slide it into the Ooni Volt 12.

**Caution:** *Avoid hitting the temperature sensor on the left wall of the oven's cavity when moving the stone into position. See image 2.5 b.*

**2.6 | Step 6:**

Make sure there is space around the product to allow for safe operation. Enough space should be left to access the ON/OFF switch on the right-hand side. The area above the oven should be generally clear. Do not place inside an enclosed space.

**2.7 | Step 7:**

To allow the oven door to open fully, position the oven so the front is close to the edge of your surface.

**2.8 | Step 8:**

Turn on your Ooni Volt 12 with the power switch on the side. The oven will enter standby mode.

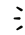
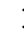
**2.9 | Step 9:**

Touch the power button located on the left of the control dials to bring the oven out of standby.

**3. Dial Functions**

- |                            |                               |                        |
|----------------------------|-------------------------------|------------------------|
| <b>a.</b> Standby/Power    | <b>e.</b> Temperature Icon    | <b>i.</b> Base Element |
| <b>b.</b> Timer Dial       | <b>f.</b> Maximum Temperature | <b>j.</b> Top Element  |
| <b>c.</b> Timer Icon       | <b>g.</b> Balance Dial        |                        |
| <b>d.</b> Temperature Dial | <b>h.</b> Balance Icon        |                        |

## 4. Seasoning

  - Pulsing LED  
**10** - Solid LED

### 4.1 | Step 1:

Before your first cook, run the oven for 20 minutes to season it. To heat your oven, rotate the temperature dial to 850°F. Your oven will start to heat immediately.

### 4.2 | Step 2:

Rotate the timer dial to 20 minutes. When the timer expires, switch off your Ooni Volt 12 and allow it to cool.

## 5. Power Off

### 5.1 | Step 1:


Simply touch the power button on the front of the oven to power off the oven. The oven will switch to standby mode.

**⚠ WARNING** Before turning off the power switch or disconnecting from the outlet, let the oven cool down fully in standby mode. This will take around 10 minutes.

### 5.2 | Step 2:

Before moving the oven, leave to cool for 90 minutes.

## 6. Timer Dial

- a. Turn the left-hand dial clockwise to increase the length of the timer up to 20 minutes.
- b. Turn counterclockwise to reduce the amount of time on the timer, or rotate to 0 to cancel.
- c. Once the timer is complete, a sound will play and the  icon will flash.
- d. To stop the sound, press the timer dial.

## 7. Temperature dial

- a. Turn the dial clockwise to increase the Ooni Volt 12 oven temperature.
- b. Turn counterclockwise to reduce the Ooni Volt 12 oven temperature.
- c. Temperature set to 850°F (Max temp)
- d. Current temperature = 550°F during heat up
- e. Set temperature achieved at 850°F

We recommend using the Ooni Infrared Thermometer to ensure the Baking Stone is up to temperature for best results.

## 8. Balance Dial Setting

The right-hand dial is the balance dial. This dial shifts power between the top and the bottom heating elements. You can use it to change the way that your base or pizza toppings cook.

- a.** Balance settings on the Ooni Volt 12 are pre-set for each temperature. As you select your temperature the balance will automatically be set.
- b.** During the heat-up sequence the balance indicator will turn off.
- c.** Once your Ooni Volt 12 has reached the selected temperature the balance "indicator" will turn back on and can be adjusted.
- d.** Turn the dial clockwise to shift the balance towards the top.
- e.** Turn the dial counterclockwise to shift the balance towards the bottom.

Check out the Ooni Volt 12 Essentials Guide to view our recommended oven settings for different pizza styles.

## 9. Boost

If the base of your pizza is not cooking at the same rate as the top, Boost can be used to recharge the stone.

- a.** Turn the balance dial counterclockwise all the way around.
- b.** Boost function has started when the icon starts to flash quickly. Boost will last for 45 seconds.
- c.** Once Boost has stopped, your balance will return to the temperature recommended setting. The bottom icon will flash slowly, Boost is not available during this time.
- d.** When the icon stops flashing Boost mode is available again.

## 10. Mute

To mute or unmute the dial chime, press the timer dial in for three seconds. This will not mute the timer or the "temperature reached" sounds.

## 11. Troubleshooting

### Error Codes - LEDs will Turn Red Depending on Error State

If an error occurs, contact Ooni customer service at [support.ooni.com](mailto:support.ooni.com) and quote the error code.

Any other servicing should be performed by an authorized service representative.

#### a. Error 1:

Cavity Thermal Probe Short  
250 temperature dial LED illuminates red.  
Alarm tone sounds.

#### b. Error 2:

Cavity Thermal Probe Open Circuit  
350 temperature dial LED illuminates red.  
Alarm tone sounds.

#### c. Error 3:

Oven Over Temperature  
450 temperature dial LED illuminates red.  
Alarm tone sounds

#### d. Error 4:

PCB Over Temperature  
550 temperature dial LED illuminates red.  
Alarm tone sounds.

#### e. Error 5:

PCB Temperature Sensor Short Circuit  
650 temperature dial LED illuminates red.  
Alarm tone sounds.

#### f. Error 6:

PCB Temperature Sensor Open Circuit  
750 temperature dial LED illuminates red.  
Alarm tone sounds.

#### g. Error 7:

PCB Communications Fault  
850 temperature dial LED illuminates red.  
Alarm tone sounds.

## 12. Care and Maintenance

### Storing

You can use Ooni Volt 12 outside. Store indoors in dry conditions when not in use.

Only store the baking stone inside the oven – don't store food or other items in the oven cavity.

Do not lean on or put items on top of your Ooni Volt 12. Doing so could damage your oven.

Keep your oven clean while in storage with the Ooni Volt 12 Pizza Oven Cover. You can order the oven cover at [ooni.com](http://ooni.com).



## Baking Stone

1. DO NOT use the baking stone over an open flame.
2. Avoid extreme temperature change to the stone. DO NOT place frozen foods onto the stone if using temperatures in excess of 350°F.
3. The stone is fragile and can break if bumped or dropped.
4. The stone is very hot during use and stays hot for a long time after use.
5. DO NOT cool the stone with water or use it when damp.
6. To clean off burned food marks, wait until the stone is cool, use two hands to carefully take it out of the oven, remove any loose or large debris, then flip it over and slide it gently back in. The debris on the underside of the stone will burn away the next time you use your Ooni Volt 12.
7. If your stone breaks: Turn your oven off, let it cool and unplug it before you remove the broken baking stone. If your Ooni Volt 12 is in warranty, get in touch with our support team to order a replacement. If your Ooni Volt 12 is out of warranty, you can buy a new baking stone at [ooni.com](https://www.ooni.com).

## Glass Door

Wait until Ooni Volt 12 is completely cool before cleaning the glass door. You can remove grease using dry paper towels or a dry cloth. For more thorough cleaning, use warm, soapy water, but make sure your Ooni Volt 12 is completely dry before switching it on again.

## Oven Interior and Exterior

Your Ooni Volt 12 should not require any interior cleaning. Any food residue should burn off when in use. You can use the Ooni Pizza Oven Brush to sweep away excess debris on the stone.

Over time the interior of the Ooni Volt 12 may discolor slightly. This is completely normal.

Don't use oven cleaners or metal scourers to clean your pizza oven because they will damage the Ooni Volt 12.

To clean the outside of your pizza oven, wait until it's cool, unplug it and use a lightly damp cloth to wipe the oven body. Dry with a clean towel right away.

## Product Technical Information

This device complies with part 15 of the FCC Rules. Operation is subject to the following two conditions: (1) This device may not cause harmful interference, and (2) this device must accept any interference received, including interference that may cause undesired operation.

NOTE: This equipment has been tested and found to comply with the limits for a Class B digital device, pursuant to part 15 of the FCC Rules. These limits are designed to provide reasonable protection against harmful interference in a residential installation. This equipment generates, uses and can radiate radio frequency energy and, if not installed and used in accordance with the instructions, may cause harmful interference to radio communications. However, there is no guarantee that interference will not occur in a particular installation. If this equipment does cause harmful interference to radio or television reception, which can be determined by turning the equipment off and on, the user is encouraged to try to correct the interference by one or more of the following measures:

- Reorient or relocate the receiving antenna.
- Increase the separation between the equipment and receiver.
- Connect the equipment into an outlet on a circuit different from that to which the receiver is connected.
- Consult the dealer or an experienced radio/TV technician for help.

MODIFICATION: Any changes or modifications not expressly approved by the grantee of this device could void the user's authority to operate the device.



## Medidas de seguridad importantes

Lee todas las instrucciones.

No toques las superficies calientes.  
Utiliza asas o pomos.

Para evitar descargas eléctricas, no sumerjas el cable ni el enchufe en agua u otro líquido.

Es necesaria una estrecha supervisión cuando un aparato es utilizado por niños o cerca de ellos.

Desenchúfalo de la toma de corriente cuando no lo utilices y antes de limpiarlo. Déjalo enfriar antes de poner o quitar las piezas.

No pongas en marcha el aparato con un cable o enchufe dañados, ni después de que el aparato funcione mal o haya sufrido algún tipo de daño. Devuelve el aparato al servicio técnico autorizado más cercano para su revisión, reparación o ajuste.

No utilices accesorios no recomendados por Ooni, ya que pueden causar lesiones o daños.

No dejes que el cable cuelgue del borde de la mesa o del mostrador, ni que entre en contacto con superficies calientes.

No lo coloques sobre o cerca de un quemador de gas o eléctrico caliente, ni en un horno caliente.

Se debe extremar la precaución al mover aparatos que contengan aceite u otros líquidos calientes.

Uso doméstico exclusivamente.

Para desconectarlo, gira cualquier control a la posición «off» (apagado) y, a continuación, extrae el enchufe de la toma de corriente.

No utilices el aparato para otro uso que no sea el previsto.

Solo se puede utilizar en una toma de corriente con conexión a tierra.

Cuando no esté en uso, guárdalo en el interior y fuera del alcance de los niños.

No abras la puerta en el caso de que los alimentos comiencen a arder espontáneamente. Las llamas se extinguirán solas.

No pongas aceite ni papel para hornear directamente sobre la piedra de hornear.

No apoyes nada en la puerta una vez abierta. Evita que caigan alimentos fríos en el interior de la puerta.

Antes de apagar el interruptor de encendido o desconectarlo de la toma de corriente, deja que el horno se enfríe por completo en el modo de espera. Esto tardará aproximadamente 10 minutos.

No utilices el aparato sin colocar la piedra de hornear.

Utiliza solo las piedras de hornear recomendadas y suministradas por Ooni.

No rocíes el producto con agua de una manguera o similar.

## Guarda estas instrucciones.

## Cable de alimentación

Se suministra un cable de alimentación corto (o un cable de alimentación desmontable) para reducir el riesgo resultante de enredarse o tropezar con un cable más largo. Hay cables de alimentación desmontables más largos o alargadores que pueden utilizarse con cuidado.

Si se utiliza un alargador:

1. La potencia eléctrica marcada en el alargador debe ser como mínimo igual a la potencia eléctrica del aparato.
2. El cable debe colocarse de manera que no cuelgue sobre la encimera o el tablero de la mesa, ya que los niños podrían tirar de él o tropezar involuntariamente.
3. Si el aparato es del tipo que requiere conexión a tierra, el alargador debe ser un cable de 3 hilos con conexión a tierra.
4. Los alargadores de exterior deben utilizarse con productos de uso exterior y están marcados en su superficie con la letra «W» como sufijo y con una etiqueta que dice «Adecuado para su uso con aparatos de exterior». La conexión a un alargador debe mantenerse seca y alejada del suelo.

## 1. Lista de componentes:

- a. Ooni Volt 12
- b. Piedra de hornear

## 2. Puesta en marcha

### 2.1 | Paso 1:

Saca tu Ooni Volt 12 del embalaje. El horno tiene asas en los laterales.

### 2.2 | Paso 2:

Encuentra una superficie limpia, plana y estable para colocar tu Ooni Volt 12. Despeja el espacio antes de colocar el horno en su posición. Retira los objetos o materiales inflamables, incluidos los manteles.

Piensa en la ventilación al elegir un lugar adecuado para tu horno. Las temperaturas de cocción muy altas a veces provocan que los alimentos se quemem, lo que puede producir humo.

### 2.3 | Paso 3:

Desenrolla el cable de alimentación. Asegúrate de que el interruptor de encendido esté en la posición apagado («Off») antes de conectar el Ooni Volt 12 a una toma de corriente. Este horno está diseñado para utilizarse solo con tomas de corriente de 120 V.

**Precaución:** el Ooni Volt 12 incluye un cable de alimentación corto para reducir el riesgo de que se pueda tirar del cable y el horno caiga de la encimera. Si utilizas un alargador, asegúrate de que la potencia eléctrica marcada sea como mínimo igual a la potencia eléctrica del aparato (1600 W). Coloca el alargador de forma que no se pueda tirar de él ni tropezar con él para minimizar el riesgo de que el horno se caiga.

### 2.4 | Paso 4:

Asegúrate de que el cable no pase por debajo del horno ni cuelgue sobre el borde de la encimera o la mesa, de manera que no se pueda tirar de él o tropezar con él.

### 2.5 | Paso 5:

Saca la piedra de hornear de su embalaje e introdúcela en el Ooni Volt 12.

**Precaución:** evita golpear el sensor de temperatura en la pared izquierda de la cavidad del horno al colocar la piedra en su sitio. Consulta la imagen 2.5 b.

### 2.6 | Paso 6:

Asegúrate de que haya espacio alrededor del producto para permitir un funcionamiento seguro. Debe dejarse espacio suficiente para acceder al interruptor ON/OFF (encendido/apagado) del lateral derecho. La zona por encima del horno debe estar despejada en general. No lo coloques dentro de un espacio cerrado.

### 2.7 | Paso 7:

Para permitir que la puerta del horno se abra por completo, coloca el horno de forma que la parte delantera esté cerca del borde de la superficie.

### 2.8 | Paso 8:

Enciende tu Ooni Volt 12 con el interruptor de encendido situado en el lateral. El horno entrará en el modo de espera.

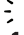
### 2.9 | Paso 9:

Toca el botón de encendido situado a la izquierda de los mandos de control para que el horno salga del modo de espera.

## 3. Funciones del mando

- |                                    |                                   |                               |
|------------------------------------|-----------------------------------|-------------------------------|
| <b>e.</b> Modo de espera/Encendido | <b>h.</b> Mando de la temperatura | <b>k.</b> Mando de equilibrio |
| <b>f.</b> Mando del temporizador   | <b>i.</b> Icono de la temperatura | <b>l.</b> Icono de equilibrio |
| <b>g.</b> Icono del temporizador   | <b>j.</b> Temperatura máxima      | <b>m.</b> Elemento de la base |
|                                    |                                   | <b>n.</b> Elemento superior   |

## 4. Preparación

 - LED parpadeante  
**10** - LED fijo

### 4.1 | Paso 1:

Antes de cocinar por primera vez, pon en funcionamiento el horno durante 20 minutos para prepararlo. Para calentar el horno, gira el mando de temperatura hasta 450 °C. El horno empezará a calentarse inmediatamente.

### 4.2 | Paso 2:

Gira el mando del temporizador a 20 minutos. Cuando el temporizador finalice, apaga tu Ooni Volt 12 y deja que se enfríe.

## 5. Apagado

### 5.1 | Paso 1:


Solo tienes que tocar el botón de encendido situado en la parte delantera del horno para apagarlo. El horno pasará al modo de espera.

**⚠ ADVERTENCIA** Antes de apagar el interruptor de encendido o desconectarlo de la toma de corriente, deja que el horno se enfríe por completo en el modo de espera. Esto tardará unos 10 minutos.

### 5.2 | Paso 2:

Antes de mover el horno, deja que se enfríe durante 90 minutos.

## 6. Mando del temporizador

- Gira el mando de la izquierda en sentido de las agujas del reloj para aumentar la duración del temporizador hasta 20 minutos.
- Gira en sentido contrario a las agujas del reloj para reducir la duración del temporizador o gíralo a 0 para cancelarlo.
- Una vez que transcurra el tiempo del temporizador, se reproducirá un sonido y el icono  parpadeará.
- Para detener el sonido, pulsa el mando del temporizador.

## 7. Mando de temperatura

- Gira el mando en sentido de las agujas del reloj para aumentar la temperatura del horno Ooni Volt 12.
- Gíralo en sentido contrario a las agujas del reloj para reducir la temperatura del horno Ooni Volt 12.
- Temperatura fijada en 450 °C (temperatura máxima)
- Temperatura actual = 288 °C durante el calentamiento
- Temperatura fijada alcanzada a 450 °C

Recomendamos utilizar el termómetro de infrarrojos Ooni para asegurarse de que la piedra de hornear está a la temperatura adecuada a fin de obtener los mejores resultados.

## 8. Ajuste del mando de equilibrio

El mando situado a la derecha es el de equilibrio. Este mando alterna la potencia entre la resistencia superior y la inferior. Puedes usarlo para cambiar la forma en que cocinas la base o los ingredientes de la pizza.

- a.** Los ajustes de equilibrio en el Ooni Volt 12 están preconfigurados para cada temperatura. Al seleccionar la temperatura, el equilibrio se ajustará automáticamente.
- b.** Durante la secuencia de calentamiento, el indicador de equilibrio se apagará.
- c.** Una vez que tu Ooni Volt 12 haya alcanzado la temperatura seleccionada, el «indicador» de equilibrio se encenderá y se podrá ajustar.
- d.** Gira el mando en sentido de las agujas del reloj para que caliente más la resistencia superior.
- e.** Gira el mando en sentido contrario a las agujas del reloj para que caliente más la resistencia inferior.

Echa un vistazo a la Guía básica del Ooni Volt 12 para consultar los ajustes de horno que recomendamos para diferentes estilos de pizza.

## 9. Modo Boost

Si la base de tu pizza no se está cocinando al mismo ritmo que la parte superior, puedes utilizar el modo Boost para calentar más la piedra.

- a.** Gira el mando de equilibrio en sentido contrario a las agujas del reloj hasta el tope.
- b.** Cuando la función Boost está activada, el icono comienza a parpadear rápidamente. El aumento momentáneo de la temperatura durará 45 segundos.
- c.** Una vez que el modo Boost se haya detenido, el equilibrio volverá a la configuración de temperatura recomendada. El icono inferior parpadeará lentamente y el modo Boost no estará disponible durante este tiempo.
- d.** Cuando el icono deje de parpadear, el modo Boost volverá a estar disponible.

## 10. Silenciar

Para silenciar o anular el timbre del mando, pulsa el mando del temporizador durante tres segundos. Esto no silenciará el temporizador ni los sonidos de «temperatura alcanzada».

## 11. Resolución de problemas

Códigos de error: los indicadores LED se encenderán en rojo dependiendo del estado de error

Si se produce un error, ponte en contacto con el servicio de atención al cliente de Ooni a través de [support.ooni.com](https://support.ooni.com) e indica el código de error.

Cualquier otro servicio debe realizarlo un representante del servicio técnico autorizado.

### a. Error 1:

Cortocircuito de la sonda térmica de la cavidad

El LED de 250 en el mando de temperatura se ilumina en rojo. Suena un tono de alarma.

### c. Error 3:

Sobrecalentamiento del horno

El LED de 450 en el mando de temperatura se ilumina en rojo. Suena un tono de alarma.

### e. Error 5:

Cortocircuito en el sensor de temperatura de la PCB

El LED de 650 en el mando de temperatura se ilumina en rojo. Suena un tono de alarma.

### g. Error 7:

Fallo de comunicaciones de la PCB

El LED de 850 en el mando de temperatura se ilumina en rojo. Suena un tono de alarma.

### b. Error 2:

El circuito de la sonda térmica de la cavidad está abierto

El LED de 350 en el mando de temperatura se ilumina en rojo. Suena un tono de alarma.

### d. Error 4:

Sobrecalentamiento de la PCB

El LED de 550 en el mando de temperatura se ilumina en rojo. Suena un tono de alarma.

### f. Error 6:

El circuito del sensor de temperatura de la PCB está abierto

El LED de 750 en el mando de temperatura se ilumina en rojo. Suena un tono de alarma.

## 12. Cuidado y mantenimiento

### Almacenamiento

Puedes utilizar el Ooni Volt 12 en el exterior. Guárdalo en interiores en condiciones secas cuando no lo utilices.

Guarda solo la piedra de hornear dentro del horno, no guardes alimentos u otros objetos en la cavidad del horno.

No te apoyes ni pongas objetos encima de tu Ooni Volt 12. Hacerlo podría dañar el horno.

Mantén el horno limpio mientras lo tengas guardado gracias a la funda para el Ooni Volt 12 Pizza Oven. Puedes pedir la funda para el horno en [ooni.com](https://ooni.com).



## Piedra de hornear

1. NO utilices la piedra de hornear sobre una llama abierta.
2. Evita los cambios de temperatura extremos en la piedra. NO coloques alimentos congelados en la piedra si utilizas temperaturas superiores a 180 °C.
3. La piedra es frágil y puede romperse si se golpea o se cae.
4. La piedra está muy caliente durante el uso y mantiene el calor durante mucho tiempo después.
5. NO enfrías la piedra con agua ni la utilices cuando esté húmeda.
6. Para limpiar las marcas de comida quemada, espera a que la piedra se enfríe, usa las dos manos para sacarla con cuidado del horno, retira los restos sueltos o grandes y, a continuación, dale la vuelta y vuelve a introducirla con cuidado. Los restos de la parte inferior de la piedra se quemarán la próxima vez que utilices tu Ooni Volt 12.
7. Si su piedra se rompe: Apague su horno, déjelo enfriar y desenchufelo antes de quitar la piedra rota. Si su Ooni Volt 12 está en garantía, póngase en contacto con el equipo de soporte para solicitar una piedra de repuesto. Si su Ooni Volt 12 no está en garantía, puede comprar una nueva pizza en [ooni.com](https://www.ooni.com).

## Puerta de cristal

Espera hasta que el Ooni Volt 12 se enfríe completamente antes de limpiar la puerta de cristal. Puedes retirar la grasa con papel de cocina seco o con un paño seco. Para una limpieza más profunda, utiliza agua caliente y jabonosa, pero asegúrate de que el Ooni Volt 12 esté completamente seco antes de volver a encenderlo.

## Interior y exterior del horno

El horno Ooni Volt 12 no requiere limpieza interior. Los restos de comida se carbonizarán durante el siguiente uso. Puedes utilizar el cepillo de horno para pizza Ooni para eliminar el exceso de suciedad en la piedra.

Con el tiempo, el interior del Ooni Volt 12 puede sufrir una ligera decoloración. Esto es completamente normal.

No utilices limpiadores de horno ni estropajos metálicos para limpiar el horno para pizza porque dañarán el Ooni Volt 12.

Para limpiar el exterior del horno para pizza, espera hasta que se enfríe, desenchúfalo y utiliza un paño ligeramente húmedo para limpiar el cuerpo del horno. Sécalo con una toalla limpia inmediatamente.

## Información técnica del producto

Este dispositivo cumple la sección 15 de las normas de la FCC. El funcionamiento está sujeto a las dos condiciones siguientes: (1) este dispositivo no puede causar interferencias perjudiciales y (2) este dispositivo debe aceptar cualquier interferencia recibida, incluidas las que puedan causar un funcionamiento no deseado.

NOTA: Este equipo se ha sometido a pruebas y ha quedado demostrado que cumple los límites de un dispositivo digital de clase B, de acuerdo con la sección 15 de las normas de la FCC. Estos límites están diseñados para ofrecer una protección razonable contra las interferencias perjudiciales en una instalación residencial. Este equipo genera, utiliza y puede radiar energía de radiofrecuencia y, si no se instala y utiliza de acuerdo con las instrucciones, puede causar interferencias perjudiciales en las radiocomunicaciones. Sin embargo, no hay garantía de que no se produzcan interferencias en una instalación en particular. Si este equipo causa interferencias perjudiciales en la recepción de radio o televisión, lo cual puede determinarse apagando y encendiendo el equipo, se recomienda al usuario que intente corregir las interferencias mediante una o varias de las siguientes medidas:

- Reorientar o reubicar la antena receptora.
- Aumentar la separación entre el equipo y el receptor.
- Conectar el equipo a una toma de corriente en un circuito diferente al que está conectado el receptor.
- Consultar al distribuidor o a un técnico experimentado en radio/TV para obtener ayuda.

MODIFICACIÓN: Cualquier cambio o modificación no aprobados expresamente por el licenciatario de este dispositivo podría anular la autoridad del usuario para utilizar el dispositivo.



## Garanties importantes

Lisez toutes les instructions.

Ne touchez pas les surfaces chaudes. Utilisez les boutons ou poignées.

Pour éviter les chocs électriques, n'immergez pas le cordon ou la prise dans l'eau ou tout autre liquide.

Une surveillance étroite est nécessaire quand un appareil est utilisé par des enfants ou à proximité.

Débranchez la prise lorsque l'appareil n'est pas utilisé et avant nettoyage. Laissez refroidir avant de mettre ou de retirer des pièces.

Ne faites pas fonctionner l'appareil avec un cordon ou une fiche endommagé(e), ou après un dysfonctionnement ou une quelconque détérioration de l'appareil. Retournez l'appareil dans l'installation de service autorisée la plus proche pour examen, réparation ou ajustement.

N'utilisez pas les accessoires qui ne sont pas recommandés par Ooni car ils peuvent entraîner des blessures ou des dommages.

Ne laissez pas le cordon pendre sur le bord de la table ou du comptoir, ou en contact avec des surfaces chaudes.

Ne le mettez pas sur ou à proximité d'un gaz chaud ou d'un brûleur électrique, ou dans un four chaud.

Vous devez vous montrer très prudent(e) lorsque vous déplacez un appareil contenant de l'huile chaude ou d'autres liquides chauds.

Usage domestique uniquement.

Pour déconnecter l'appareil, mettez toute commande sur « off », puis retirez la fiche de la prise murale.

N'utilisez pas d'appareil à des fins autres que celles prévues.

Branchez-le uniquement sur une prise correctement reliée à la terre.

Entreposez-le en intérieur, hors de portée des enfants, lorsqu'il n'est pas utilisé.

N'ouvrez pas la porte dans le cas où des aliments prendraient feu spontanément. Toutes flammes s'éteindront par elles-mêmes.

Ne mettez pas d'huile ou de papier de cuisson directement sur la pierre de cuisson.

Ne posez rien sur la porte une fois ouverte. Évitez que des aliments froids tombent à l'intérieur de la porte.

Avant d'éteindre l'interrupteur d'alimentation ou de débrancher la prise, laissez le four refroidir complètement en mode veille. Cela prendra environ 10 minutes.

N'utilisez pas l'appareil sans avoir mis en place la pierre de cuisson.

Utilisez uniquement des pierres de cuisson recommandées et fournies par Ooni.

N'aspergez pas le produit avec de l'eau à partir d'un tuyau ou accessoire semblable.

## Conservez ces instructions.

## Cordon d'alimentation

Un cordon d'alimentation court (ou amovible) est fourni pour réduire les risques résultant de l'emmêlement ou du trébuchement sur un cordon plus long. Des cordons d'alimentation ou des rallonges électriques amovibles plus longs sont disponibles et peuvent être utilisés avec précaution.

Si une rallonge est utilisée :

1. Le calibre électrique nominal de la rallonge électrique doit être au moins aussi élevé que le calibre électrique nominal de l'appareil ;
2. Le cordon doit être disposé de manière à ne pas pendre d'un comptoir ou d'une table où des enfants pourront tirer dessus ou trébucher involontairement ;
3. Si l'appareil est de type mise à la terre, la rallonge doit être un cordon à 3 fils de type mise à la terre.
4. Des rallonges électriques extérieures doivent être utilisées avec les produits à usage extérieur et sont marquées en surface par la lettre suffixe « W » et dotées d'une étiquette indiquant qu'elles conviennent pour une utilisation avec les appareils d'extérieur. Le raccordement à une rallonge électrique doit être maintenu au sec et hors du sol.

## 1. Liste des pièces :

- a. Ooni Volt 12
- b. Pierre de cuisson

## 2. Installation

### 2.1 | Étape 1 :

Sortez votre four Ooni Volt 12 de son emballage. Il y a des poignées sur le côté du four.

### 2.2 | Étape 2 :

Trouvez une surface propre, plate et stable pour votre four Ooni Volt 12. Libérez l'espace avant de mettre votre four en place. Retirez tous les objets et matériaux inflammables, y compris les nappes.

Pensez à la ventilation pour choisir un endroit adapté à votre four. Les températures de cuisson très élevées peuvent parfois brûler les aliments, ce qui peut produire de la fumée.

### 2.3 | Étape 3 :

Déroulez le cordon d'alimentation. Assurez-vous que l'interrupteur d'alimentation est en position d'arrêt avant de brancher votre four Ooni Volt 12 sur une prise électrique. Ce four est conçu pour être utilisé avec des prises de 120 V uniquement.

**Attention :** le four Ooni Volt 12 est fourni avec un cordon d'alimentation court pour réduire le risque qu'il ne tombe du comptoir par traction du fil. Si vous utilisez une rallonge électrique, assurez-vous que sa puissance nominale est au moins aussi élevée que celle de l'appareil (1600 W). Acheminez la rallonge pour qu'on ne puisse pas tirer ou trébucher dessus afin de minimiser le risque de chute du four.

### 2.4 | Étape 4 :

Assurez-vous que le câble ne passe pas sous le four ou ne pend pas d'un comptoir ou d'une table où des personnes pourraient tirer ou trébucher dessus.

### 2.5 | Étape 5 :

Retirez la pierre de cuisson de son emballage et faites-la glisser dans le four Ooni Volt 12.

**Attention :** évitez de toucher le capteur de température sur la paroi gauche de la cavité du four lorsque vous mettez la pierre en place. Regardez l'image 2.5 b.

### 2.6 | Étape 6 :

Assurez-vous qu'il y a de l'espace autour du produit pour permettre un fonctionnement en toute sécurité. Il faut laisser suffisamment d'espace pour accéder à l'interrupteur marche/arrêt du côté droit. La zone au-dessus du four doit être généralement dégagée. Ne le placez pas dans un espace clos.

### 2.7 | Étape 7 :

Pour permettre à la porte du four de s'ouvrir complètement, positionnez-le de sorte que l'avant du four soit près du bord de votre surface.

### 2.8 | Étape 8 :

Allumez votre four Ooni Volt 12 avec l'interrupteur d'alimentation sur le côté. Le four passera en mode veille.

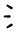
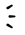
### 2.9 | Étape 9 :

Touchez le bouton d'alimentation situé à gauche des molettes de commande pour mettre le four hors tension.

## 3. Fonctions des molettes

- |                                  |                                |                             |
|----------------------------------|--------------------------------|-----------------------------|
| <b>e.</b> Veille/Alimentation    | <b>i.</b> Icône de température | <b>m.</b> Élément de base   |
| <b>f.</b> Molette de minuterie   | <b>j.</b> Température maximale | <b>n.</b> Élément supérieur |
| <b>g.</b> Icône du minuteur      | <b>k.</b> Molette de balance   |                             |
| <b>h.</b> Molette de température | <b>l.</b> Icône de balance     |                             |

## 4. Culottage

  - Voyant clignotant  
**10** - Voyant fixe

### 4.1 | Étape 1 :

Avant votre première cuisson, faites chauffer le four pendant 20 minutes pour le culotter. Pour chauffer votre four, faites tourner la molette de température sur 450 °C. Votre four commencera à chauffer immédiatement.

### 4.2 | Étape 2 :

Faites tourner la molette du minuteur jusqu'à 20 minutes. Lorsque le minuteur arrive à terme, éteignez votre four Ooni Volt 12 et laissez-le refroidir.

## 5. Mise hors tension

### 5.1 | Étape 1 :


Touchez simplement le bouton d'alimentation situé à l'avant du four pour l'éteindre. Le four passera en mode veille.

**⚠ ATTENTION** Avant d'éteindre l'interrupteur d'alimentation ou de débrancher la prise, laissez le four refroidir complètement en mode veille. Cela prendra environ 10 minutes.

### 5.2 | Étape 2 :

Avant de déplacer le four, laissez-le refroidir pendant 90 minutes.

## 6. Molette de minuterie

- Tournez la molette de gauche dans le sens horaire pour augmenter la durée du minuteur jusqu'à 20 minutes.
- Tournez-la dans le sens antihoraire pour réduire le temps sur le minuteur, ou mettez-la sur 0 pour annuler.
- Une fois le temps du minuteur passé, un son se fera entendre et l'icône  clignotera.
- Pour arrêter le son, appuyez sur la molette du minuteur.

## 7. Molette de température

- Tournez la molette dans le sens horaire pour augmenter la température du four Ooni Volt 12.
- Tournez-la dans le sens antihoraire pour réduire la température du four Ooni Volt 12.
- Température réglée sur 450 °C (temp. max.)
- Température actuelle = 287 °C pendant la montée en température
- Température sélectionnée de 450 °C atteinte

Nous vous recommandons d'utiliser le thermomètre infrarouge Ooni afin de vous assurer que la pierre de cuisson est à la bonne température pour les meilleurs résultats.

## 8. Réglage de la molette de balance

La molette de droite est la molette de balance. Cette molette bascule la puissance entre les éléments de chauffage du haut et du bas. Vous pouvez l'utiliser pour changer la façon dont la base ou la garniture de la pizza cuit.

- a.** Les paramètres de balance du four Ooni Volt 12 sont prédéfinis pour chaque température. Lorsque vous sélectionnez votre température, la balance est automatiquement définie.
- b.** Pendant la séquence de chauffage, l'indicateur de balance s'éteint.
- c.** Une fois que votre four Ooni Volt 12 atteint la température sélectionnée, l'« indicateur » de balance se rallume et peut être ajusté.
- d.** Tournez la molette dans le sens horaire pour déplacer la balance vers le haut.
- e.** Tournez la molette dans le sens antihoraire pour déplacer la balance vers le bas.

Consultez le Guide essentiel du four Ooni Volt 12 afin de voir nos réglages recommandés pour différents styles de pizzas.

## 9. Boost

Si la base de votre pizza ne cuit pas au même rythme que le haut, la fonction Boost peut être utilisée pour recharger la pierre.

- a.** Tournez la molette de balance dans le sens antihoraire jusqu'au bout.
- b.** Lorsque l'icône commence à clignoter rapidement, la fonction Boost a été enclenchée. La fonction Boost durera 45 secondes.
- c.** Une fois le mode "Boost" arrêté, l'équilibrage de la chaleur revient au réglage de température recommandé. L'icône inférieure clignotera lentement, et Boost ne sera pas disponible pendant cette période.
- d.** Lorsque l'icône cesse de clignoter, le mode Boost est de nouveau disponible.

## 10. Sourдинe

Pour activer ou désactiver la mise en sourдинe de la sonnerie de la molette, appuyez sur la molette du minuteur pendant trois secondes. Cela ne mettra pas en sourдинe les sons de minuterie ou de « température atteinte ».

## 11. Aide au dépannage

### Codes d'erreur : les voyants deviennent rouges en fonction de l'état d'erreur

En cas d'erreur, contactez le service client d'Ooni à l'adresse support.ooni.com et citez le code d'erreur.

Toute autre réparation doit être effectuée par un représentant agréé.

#### a. Erreur 1 :

Court-circuit de la sonde thermique dans la cavité

Le voyant à 250 de la molette de température s'allume en rouge. L'alarme retentit.

#### c. Erreur 3 :

Température excessive du four

Le voyant à 450 de la molette de température s'allume en rouge. L'alarme retentit.

#### e. Erreur 5 :

Court-circuit du capteur de température du circuit imprimé

Le voyant à 650 de la molette de température s'allume en rouge. L'alarme retentit.

#### g. Erreur 7 :

Défaut de communication du circuit imprimé

Le voyant à 850 de la molette de température s'allume en rouge. L'alarme retentit.

#### b. Erreur 2 :

Circuit ouvert de la sonde thermique dans la cavité

Le voyant à 350 de la molette de température s'allume en rouge. L'alarme retentit.

#### Erreur 4 :

Température excessive du circuit imprimé

Le voyant à 550 de la molette de température s'allume en rouge. L'alarme retentit.

#### f. Erreur 6 :

Circuit ouvert du capteur de température du circuit imprimé

Le voyant à 750 de la molette de température s'allume en rouge. L'alarme retentit.

## 12. Conservation et entretien

### Stockage

Vous pouvez utiliser le four Ooni Volt 12 en extérieur. Rangez-le en intérieur et au sec lorsque vous ne vous en servez pas.

Rangez uniquement la pierre de cuisson à l'intérieur du four — ne rangez pas de nourriture ou d'autres objets dans la cavité du four.

Ne vous appuyez pas sur votre four Ooni Volt 12 et ne posez rien dessus. Cela pourrait endommager votre four.

Préservez la propreté de votre four en le stockant avec la housse pour four à pizza Ooni Volt 12. Vous pouvez commander la housse du four sur [ooni.com](http://ooni.com).



## Pierre de cuisson

1. N'utilisez PAS la pierre de cuisson sur une flamme nue.
2. Évitez les changements de température extrêmes sur la pierre. Ne mettez PAS d'aliments congelés sur la pierre si vous utilisez des températures supérieures à 180 °C.
3. La pierre est fragile et peut se casser en cas de chute ou de choc.
4. Le pierre est très chaude pendant l'utilisation et reste chaude longtemps après.
5. Ne refroidissez PAS la pierre avec de l'eau et ne l'utilisez pas lorsqu'elle est humide.
6. Pour nettoyer les traces d'aliments brûlés, attendez que la pierre soit froide, utilisez vos deux mains pour la retirer délicatement du four, enlevez tous les débris lâches ou imposants, puis retournez-la et remettez-la à l'intérieur en la faisant glisser doucement. Les débris sur le dessous de la pierre disparaîtront en brûlant la prochaine fois que vous utiliserez votre four Ooni Volt 12.
7. Si votre pierre se casse : Éteignez votre four, laissez-le refroidir et débranchez-le avant de retirer la pierre de cuisson fendue. Si votre four Ooni Volt 12 est sous garantie, contactez notre équipe d'assistance pour obtenir une pierre de remplacement. Si votre four Ooni Volt 12 n'est plus sous garantie, vous pouvez acheter une nouvelle pierre de cuisson sur [ooni.com](https://www.ooni.com).

## Porte en verre

Attendez que le four Ooni Volt 12 ait complètement refroidi avant de nettoyer la porte en verre. Vous pouvez retirer la graisse à l'aide de papier absorbant sec ou d'un chiffon sec. Pour un nettoyage plus approfondi, utilisez de l'eau chaude et savonneuse, mais assurez-vous que votre four Ooni Volt 12 est complètement sec avant de le rallumer.

## Intérieur et extérieur du four

Votre four Ooni Volt 12 ne devrait pas nécessiter de nettoyage intérieur. Tout résidu alimentaire devrait disparaître en brûlant lors de son utilisation. Vous pouvez utiliser la brosse pour four à pizza Ooni pour enlever tout excès de débris sur la pierre.

Au fil du temps, l'intérieur du four Ooni Volt 12 peut se décolorer légèrement. C'est tout à fait normal.

N'utilisez pas de nettoyants pour four ou de tampons à récurer métalliques pour nettoyer votre four à pizza Ooni Volt 12 sous peine de l'endommager.

Pour nettoyer l'extérieur de votre four à pizza, attendez qu'il soit froid, débranchez-le et utilisez un chiffon légèrement humide pour l'essuyer. Séchez-le avec une serviette propre tout de suite après.

## Informations techniques sur le produit

Cet appareil est conforme à la section 15 des Règles de la FCC. Le fonctionnement est soumis aux deux conditions suivantes : (1) cet appareil ne peut pas causer d'interférences nuisibles, et (2) cet appareil doit accepter toute interférence reçue, y compris les interférences pouvant provoquer un fonctionnement non désiré.

REMARQUE : cet équipement a été testé et jugé conforme aux limites pour un appareil numérique de classe B, conformément à la section 15 des Règles de la FCC. Ces limites sont conçues pour fournir une protection raisonnable contre les interférences nuisibles dans une installation résidentielle. Cet équipement génère, utilise et peut émettre de l'énergie par radiofréquence et, s'il n'est pas installé et utilisé conformément aux instructions, peut causer des interférences nuisibles aux communications radio. Toutefois, il n'y a aucune garantie que des interférences ne se produiront pas dans une installation particulière. Si cet équipement cause des interférences nuisibles à la réception radiophonique ou télévisuelle, ce qui peut être déterminé en mettant l'équipement hors tension et sous tension, l'utilisateur est encouragé à essayer de corriger les interférences par une ou plusieurs des façons suivantes :

- Réorientez ou déplacez l'antenne réceptrice.
- Augmentez la distance séparant l'équipement du récepteur.
- Branchez l'équipement dans une prise sur un circuit différent de celui auquel le récepteur est connecté.
- Consultez le revendeur ou un technicien radio/TV expérimenté pour obtenir de l'aide.

MODIFICATION : tout changement ou toute modification non expressément approuvé(e) par le bénéficiaire de cet appareil pourrait annuler le droit de l'utilisateur d'utiliser l'appareil.